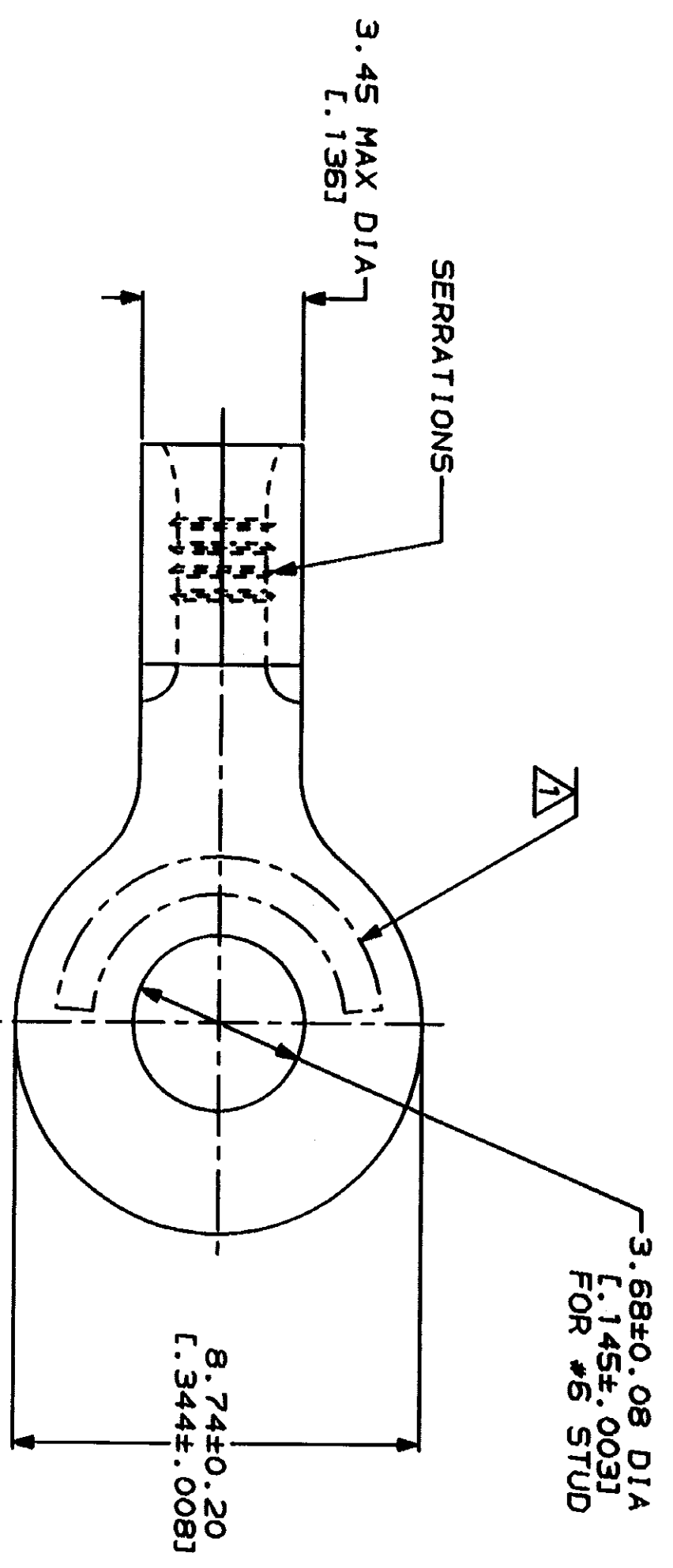
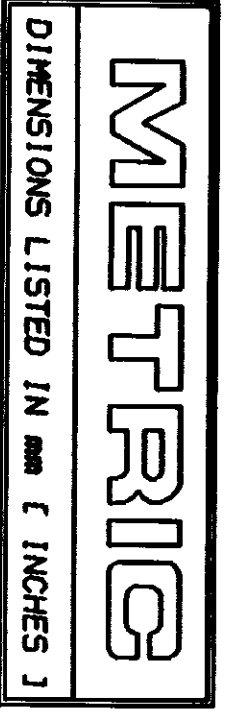


4  
 THIS DRAWING IS UNPUBLISHED.  
 BY AMP INCORPORATED. ALL INTERNATIONAL RIGHTS RESERVED.  
 COPYRIGHT 1993

3  
 .19

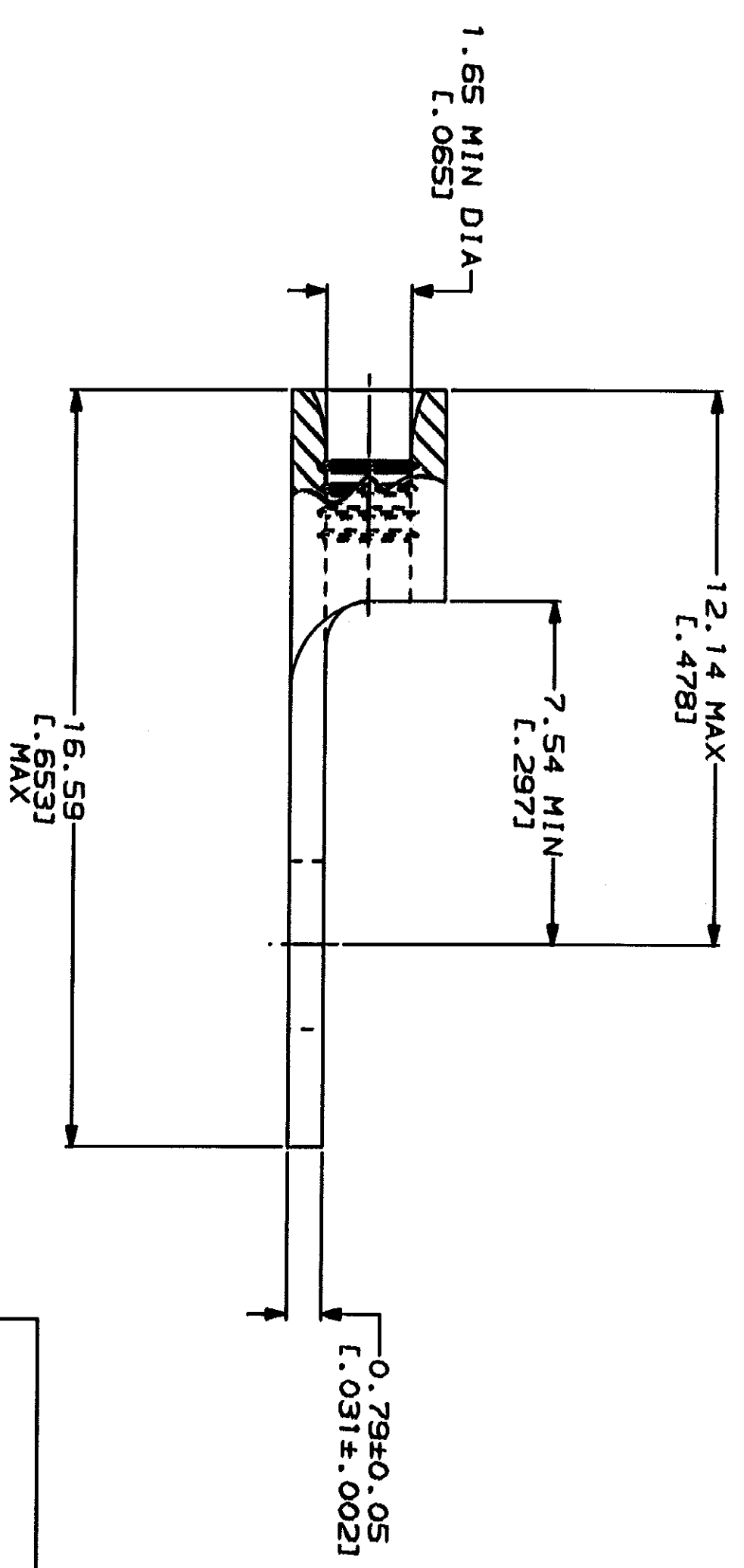
LOC	DIST	REV	DATE	APPD
G	14			

REV	DESCRIPTION	DATE	APPD
D	REVISED PER 0720-0230-93		



WIRE RANGE	IL E13288 IL Listed
22-16 AWG STRANDED	22-16 AWG STRANDED
LR7189 Certified	MILITARY P/N AND CLASS
NOT CERTIFIED	NOT APPLICABLE

△ STAMP AMP 22-18\* APPROX AS SHOWN  
 22-16 TERMINALS ARE STAMPED 22-18 IN  
 ACCORDANCE WITH MILITARY SPECIFICATION  
 MIL-T-7928, COMMERCIAL WIRE RANGE IS 22-16



AMP INCORPORATED  
 CUSTOMER SERVICE SYSTEMS

FOR ADDITIONAL PRODUCT INFORMATION OR COPIES OF DRAWINGS AND TECHNICAL DOCUMENTS  
 1-800-522-6752  
 PRODUCT INFORMATION CENTER

FOR APPLICATION TOOLING INFORMATION  
 1-800-722-1111  
 TOOLING ASSISTANCE CENTER

FOR ORDER ENTRY  
 1-800-526-5142

MAX RECOMMENDED OPERATING TEMPERATURE: 170°C MAX

VOLTAGE RATING: NOT APPLICABLE

WIRE CROSS SECTIONAL AREA RANGE: 0.26-1.65mm<sup>2</sup> (509-3,260) CIR MILS STRANDED

DO NOT SCALE PRINT. UNLESS SPECIFIED DIMENSIONS IN - FINISHES - TOLERANCES ON 1 2 PL DEC ± 3 PL DEC ± ANGLES MATERIAL

COPPER PER ASTM B-152 ANNEALED

FINISH TIN PLATE 0.00254L.0001001 MIN THK PER MIL-T-10727

DR 2-3-93 TA BRINKMAN  
 CHK 2-3-93 DA PATTERSON  
 APPD 2-3-93 DE MILLER  
 APPD 2-3-93 JL HECKLEY  
 PRODUCT SPEC

NAME TERMINAL, RING TONGUE, BUDGET

APPLICATION SPEC WEIGHT SCALE 8:1

32822 PART NO

AMP Incorporated  
 Harrisburg, PA 17105-3509

TERMINAL, RING TONGUE, BUDGET

SIZE CAGE CODE 00779 DRAWING NO G-32822

CUSTOMER DRAWING SHEET 1 OF 1

25-FEB-94 13:16:53 09025463 /files/dep01123/dm123/y.hod/ise/y.22-16